



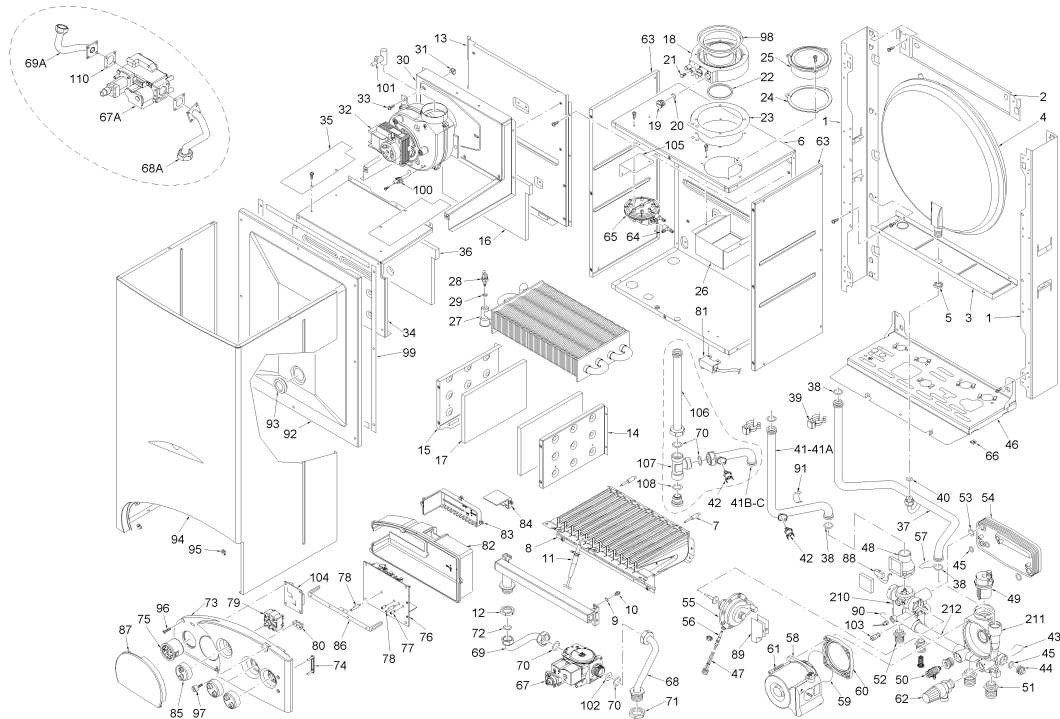
Fonderie Sime S.p.A. - Via Garbo, 27 - 37045 Legnago (VR) - www.sime.it
 Tribunale Verona 13531 - R.E.A. VR 171357 - C.C.P. 19423375 - N° Mecc. VR 014435
 Capitale Sociale Euro 5.521.200 int. versato - Codice Fiscale/Partita IVA n. IT 01275930236

Comfort Ambiente - Via Garbo, 27 - 37045 Legnago (VR)

Tel +39 0442 631111 - Fax Servizio Commerciale: Italia +39 0442 631291 - Estero +39 0442 631293

Fax Servizio Tecnico +39 0442 631292 - Fax Ufficio Acquisti +39 0442 631292 - Fax Amministrazione +39 0442 631336

8098450 CALD.MUR.MET.FORMAT.ZIP 25 BF



FORMAT ZIP BF

| Posiz. | Codice | Descrizione |
|--------|---------|---------------------------------|
| 001 | 6138570 | Side frame part |
| 002 | 6138770 | Frame assembly upper support |
| 003 | 6255430 | Expansion vessel lower support |
| 004 | 5139140 | Expansion vessel I.7 - 3/8" M |
| 005 | 6146305 | Brass Nut 3/8" |
| 006 | 6288100 | Sealed chamber rear panel |
| 007 | 6223202 | Burner centering pin |
| 008 | 5190700 | Main burner assembly |
| 009 | 6022004 | Copper washer Ø 6 |
| 010 | 6154402 | Main burner nozzle NP 130 natur |
| 010A | 6154410 | Main burner nozzle NP 77 GLP |
| 011 | 6235929 | Ignition-ionisation electrode |
| 012 | 6146301 | Brass nut 1/2" |
| 013 | 6288400 | Combustion chamber rear panel |
| 014 | 6288500 | Combust. chamber right hand sid |
| 015 | 6288600 | Combust. chamber left hand side |
| 016 | 6139772 | Combustion chamber rear insulat |
| 017 | 6139774 | Combustion chamber side insulat |
| 018 | 6287900 | Air/smoke manifold |
| 019 | 6147406 | Air/smoke manifold plug M14x1.5 |
| 020 | 6226417 | O-ring 3043 |
| 021 | 6242602 | Air/smoke manifold screw |
| 022 | 6248803 | Lip seal for Ø 60 pipe |
| 023 | 6028706 | Air/smoke manifold gasket |
| 024 | 6028707 | Air intake gasket |
| 025 | 6288000 | Air intake |
| 026 | 6257512 | Air deflector for separate duct |
| 027 | 6174230 | Heat exchanger |
| 028 | 6231351 | Plunged sensor |
| 029 | 6022010 | Sensor gasket |
| 030 | 5190600 | Smoke chamber assembly |
| 031 | 2016020 | Locked nut M4 |
| 032 | 6225621 | Fan |
| 033 | 2000715 | Screw TCB M4x10 AISI 304 |

| | | | |
|------|---------|---------------------------------|----------------------|
| 034 | 6288700 | Combustion chamber front panel | |
| 035 | 6257511 | Air deflector | |
| 036 | 6139770 | Combustion chamber front insula | |
| 037 | 6264825 | C.H. return pipe | |
| 038 | 6226412 | O-ring 3068 | |
| 039 | 6226601 | Spring for heat exchanger conne | |
| 040 | 2030226 | Gasket Ø 10,2x14,8x2 | |
| 041 | 6264730 | C.H. flow pipe | FINO MATR.3307069086 |
| 041B | 6264747 | C.H. flow pipe | DA MATR. 3307069087 |
| 042 | 6146701 | 100°C safety stat | |
| 043 | 6226602 | Pipe fixing spring | FINO MATR.3303036709 |
| 043B | 6226612 | Pipe fixing double spring | DA MATR. 3303036710 |
| 044 | 6119370 | Plastic plug | |
| 045 | 6226414 | O-ring 117 Ø 13,1x2,62 | |
| 046 | 6138870 | Frame assembly lower side | |
| 047 | 6272701 | Filling cock extension | |
| 048 | 6281502 | Flow water switch spare parts | |
| 049 | 6013101 | Automatic air vent | |
| 050 | 6017250 | Manual air vent 1/4" | |
| 051 | 6281500 | Straight fitting 3/4" | |
| 052 | 6281501 | Straight fitting 1/2" | |
| 053 | 6226421 | O-ring Dalmar R12 | |
| 054 | 6281522 | 14 plate heat exchanger kit | |
| 055 | 6281503 | Divertor valve | |
| 056 | 6218610 | Filling cock spindle | |
| 057 | 6226607 | Pipe fixing spring | |
| 058 | 6272300 | Circulating pump CP 53 Myson mo | |
| 058A | 6272301 | Circulating pump VA 55 Dab moto | |
| 059 | 6226416 | O-ring Ø 75,87x2,62 for Myson | |
| 059A | 6028705 | Gasket EP709 for Dab | |
| 060 | 6281520 | Flange + OR for Myson pump | |
| 060A | 6281521 | Flange + OR for Dab pump | |
| 061 | 2000201 | Screw M5x40 | |
| 062 | 6040201 | Pressure relief valve | |
| 063 | 6288200 | Sealed chamber side panel | |
| 064 | 6280511 | 3-ways junction | |
| 065 | 5192100 | Air pressure switch | |
| 066 | 2013303 | Fastener for self tapping screw | |
| 067 | 6243810 | SIT gas valve type 845 SIGMA | SIT |
| 067A | 6243804 | Honeywell gas valve type VK4105 | HONEYWELL |
| 068 | 6226850 | Gas inlet pipe | X VALVOLA SIT |
| 068A | 6226860 | Gas inlet pipe | X VALVOLA HONEYWELL |
| 069 | 6226945 | Pipe connecting gas valve-main | X VALVOLA SIT |
| 069A | 6226950 | Pipe connecting gas valve-main | X VALVOLA HONEYWELL |
| 070 | 2030228 | Gasket Ø 17x24x2 | |
| 071 | 6146302 | Brass nut 3/4" | |
| 072 | 2030227 | Gasket Ø 12x18x2 | |
| 073 | 6289800 | Control panel | |
| 074 | 6273210 | Guidelight - 2 ways out | |
| 075 | 6217005 | Temperature and pressure gauge | |
| 076 | 6230687 | Main PCB with ignition | |
| 077 | 6201501 | Trimmer spindle Ø 5 | |
| 078 | 6201505 | Trimmer spindle Ø 6 | |
| 079 | 6260701 | Rotary switch | |
| 080 | 2211610 | Earth faston | |
| 081 | 6098308 | Ignition transformer | |
| 082 | 6289900 | Control panel protecting cover | |
| 083 | 6290300 | Control panel cable cover | |
| 084 | 6290200 | Room stat connection cover | |
| 085 | 6290100 | White knob Ø 40 | |
| 086 | 6009585 | Control panel bracket | |
| 087 | 6290000 | Flap door | |
| 088 | 6131401 | Microswitch for flowmeter | |
| 089 | 5191900 | Divertor valve microswitch + su | |
| 090 | 6226605 | Fixing spring | |
| 091 | 2051100 | Retaining spring | |
| 092 | 6288350 | Sealed chamber front panel | |
| 093 | 6001210 | Peephole | |
| 094 | 6287321 | Casing | |
| 095 | 2013302 | Fastener for self tapping screw | |
| 096 | 2004510 | Screw 8Px7/8" | |
| 097 | 6112420 | Control panel screw | |
| 098 | 6028624 | Air diaphragm Ø 87.5 | |
| 099 | 5192200 | Gasket for sealed chamber | |
| 100 | 6263905 | Fan pressure test point | |
| 101 | 6223351 | Venturi | |
| 103 | 6281512 | Water rate adjuster | |

| | | | |
|-----|---------|---------------------------------|---------------------|
| 106 | 6264746 | Pipe conn. C.H. filter-C.H. exc | DA MATR. 3307069087 |
| 107 | 6295500 | C.H. filter 3/4"M x 3/4"M | DA MATR. 3307069087 |
| 108 | 6226429 | O-ring 121 | DA MATR. 3307069087 |
| 110 | 6162401 | Square gasket | X VALVOLA HONEYWELL |
| 210 | 6281524 | D.H.W. Technyl manifold | |
| 211 | 6281523 | C.H. Technyl manifold | |
| 212 | 6296904 | Flow pipe | |
| 701 | 5191100 | Complete control panel | X VALVOLA SIT |
| 702 | 6127210 | Main cable L=2000 | |
| 703 | 6245335 | Gas valve connector | X VALVOLA SIT |
| 704 | 6278671 | 6 pole Lumberg cable connector | |
| 705 | 6278672 | 10 pole Lumberg cable connector | |
| 706 | 6278673 | 6 pole Stocko cable connector J | |
| 707 | 6278674 | 8 pole Stocko cable connector J | |
| 708 | 6278675 | 5 pole Stocko cable connector J | |
| 709 | 5144712 | Conversion kit to LPG | |
| 711 | 6233506 | Fuse T1,6A 250V | |
| 712 | 6281506 | O-ring kit for hydraulic group | |
| 713 | 6281507 | Split pin kit for hydraulic gro | |
| 714 | 5185403 | Convers. kit to nat. gas 25-30- | |
| 722 | 5187313 | Technyl hydraulic group | |
| 728 | 8094510 | Pipe cover | |
| 730 | 5191103 | Complete control panel | X VALVOLA HONEYWELL |
| 731 | 6245346 | Gas valve connector | X VALVOLA HONEYWELL |